

Catholic High School (Primary)
Primary 4 Science 2025
Weighted Assessment 3

Name: _____ ()

Class: Pri. 4 - _____

Date: 7 August 2025

Parent's Signature: _____

MARKS	25
-------	----

Booklet A (8 × 2 marks)

For each question from 1 to 6, four options are given. One of them is the correct answer. Make your choice (1, 2, 3 or 4). Write its correct number in the brackets provided.

(16 marks)

- 1 The table shows the properties of four different materials, A, B, C and D. A tick (✓) indicates that the material has the property.

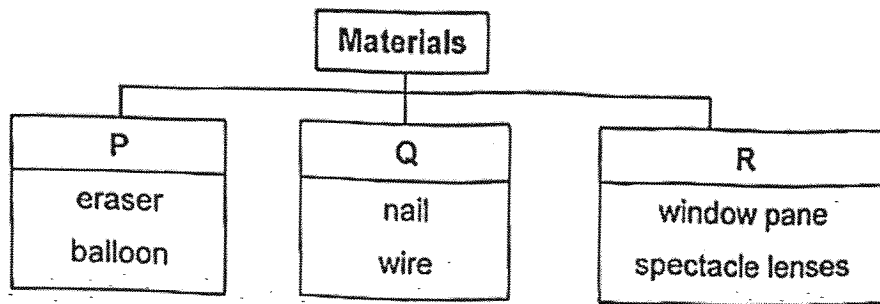
Material	Strong	Waterproof	Flexible
A	✓	✓	
B	✓		✓
C		✓	
D		✓	✓

Which material is most suitable to make a bookshelf?

- (1) A
(2) B
(3) C
(4) D

()

2 Study the diagram



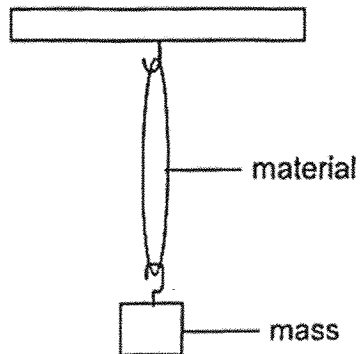
Which of the following correctly shows the headings for P, Q and R?

	P	Q	R
(1)	rubber	ceramic	glass
(2)	plastic	metal	fabric
(3)	rubber	metal	glass
(4)	plastic	ceramic	fabric

()

- 3 Four different materials, A, B, C and D, were tested to find out which was most suitable for making object X.

Object X needed to be strong enough to hold a mass of 18 g.



The results are as shown.

Material	Mass at which material began to break (g)
A	10
B	16
C	5
D	20

Which material is most suitable for making object X?

- (1) A
- (2) B
- (3) C
- (4) D

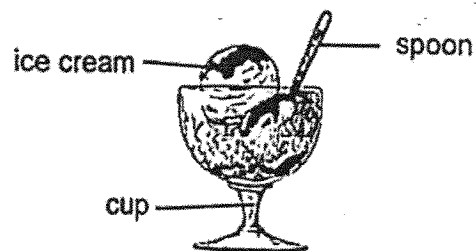
()

4 Which of the following is **not** a source of heat?

- (1) the Sun
- (2) a lighted bulb
- (3) a candle flame
- (4) a woollen sweater

()

5 Ravi places a metal spoon in a cup of ice cream.



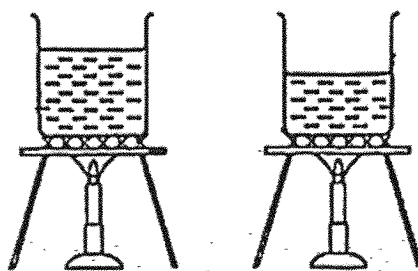
The spoon becomes colder after a while.

Which of the following explains this?

- (1) The spoon loses heat to the ice cream.
- (2) The ice cream loses heat to the spoon.
- (3) The cup gains heat from the ice cream.
- (4) The spoon gains heat from the ice cream.

()

- 6 Two beakers containing different volumes of water at room temperature were heated until both reached 50 °C.



beaker R

beaker S

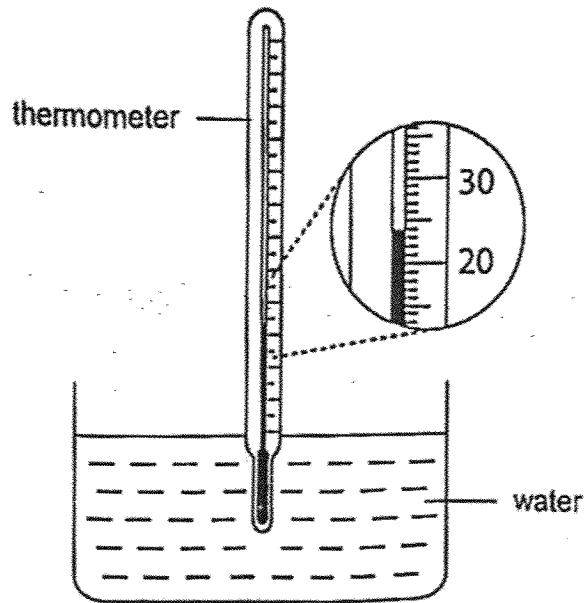
Which of the following statement(s) is/are correct?

- A The water in beaker S took a shorter time to be heated to 50 °C.
- B The water in beaker R gained heat faster than the water in beaker S.
- C The water in beakers R and S had the same amount of heat energy.
- D The water in beaker R had more heat energy than the water in beaker S.

- (1) B only
- (2) A and D only
- (3) C and D only
- (4) A, B and C only

()

7 A thermometer is used to measure the temperature of water as shown.

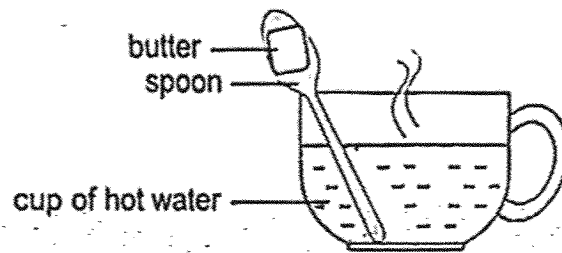


What is the temperature of water?

- (1) 24 °C
- (2) 26 °C
- (3) 35 °C
- (4) 37 °C

()

- 8 Jordano wants to find out if the material of the spoon affects how fast butter melts. He sets up an experiment by placing some butter on a spoon before putting the spoon in a cup of hot water at 90 °C.



Which variable(s) should Jordano keep the same to ensure a fair test?

- A material of the spoon
- B amount of butter on each spoon
- C water level in the cup at the start
- D time taken for the butter to melt completely

- (1) A only
- (2) A and D only
- (3) B and C only
- (4) B, C and D only

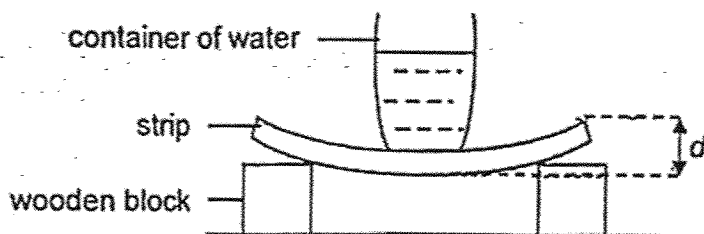
()

Booklet B (9 marks)

For questions 9 to 11, write your answers in this booklet.

The number of marks available is shown in brackets [] at the end of each question or part question.

- 9 Salim set up an experiment as shown to compare a property of three similar strips, X, Y and Z, which are made of different materials.



For each strip, he added 50 cm³ of water into the container and measured the distance d . The results are as shown.

Strip	Distance d (mm)
X	36
Y	14
Z	25

Salim brought the clipboard as shown, on a learning journey to write some notes.



- (a) Based on Salim's experiment, which strip, X, Y or Z, is most suitable for making the clipboard? Give a reason. [1]

- (b) Salim repeated his experiment with strips X, Y and Z. This time, to keep the distance d the same, he added different amounts of water into the container.

Name the strip with the most or least amount of water needed. [1]

Most amount of water: Strip _____

Least amount of water: Strip _____

(Go on to the next page)

SCORE	2
-------	---

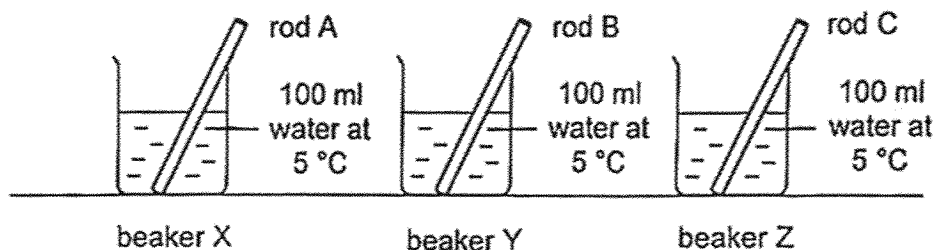
10 (a) State what temperature is.

[1]

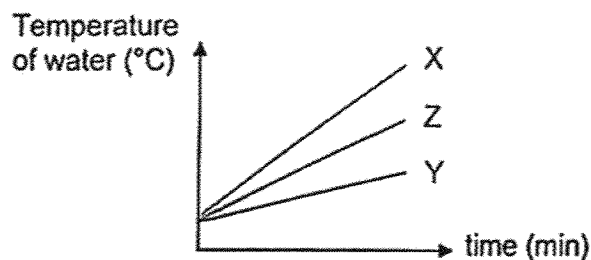
Ahmad had three rods, A, B and C, made of different materials. When he touched the rods with his hands, the rods felt cold.

(b) Give a reason why Ahmad's hand felt cold when he touched the rods. [1]

Ahmad heated the rods to 90°C . He placed each rod into a beaker of water at 5°C .



He left the beakers in his room and measured the temperature of water in each beaker over a period of time. The results are as shown.

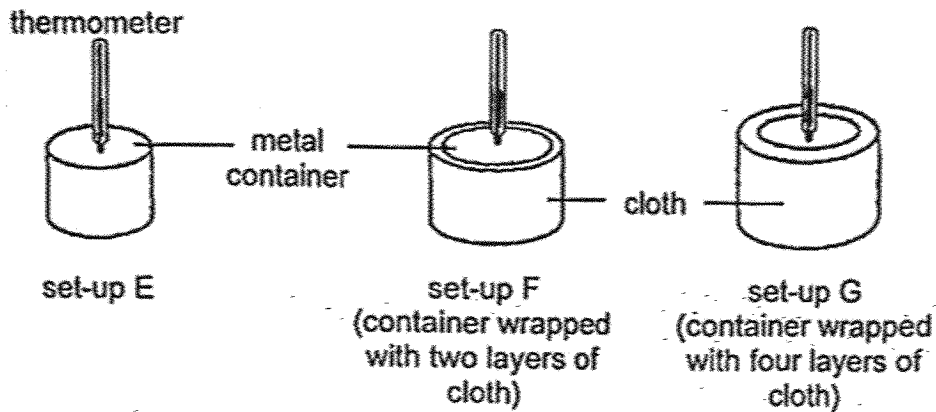


(c) Based on the results, which rod, A, B or C, should be placed in a cup of hot tea to cool the tea the fastest? Explain why. [2]

(Go on to the next page)

SCORE	4
-------	---

11 William conducted an experiment using the set-ups as shown.



He poured 250 ml of hot water into each container and measured the changes in the temperature of water over thirty minutes. The results are as shown.

Time (min)	Temperature of water in set-up (°C)		
	E	F	G
0	60	60	60
10	39	48	56
20	27	37	49
30	27	27	38

(a) State what William was trying to find out in his experiment. [1]

(b) Based on the results, state the room temperature. [1]

(c) William repeated the experiment using similar plastic containers. He observed that the time taken for the water to cool to room temperature increased. Explain why. [1]

End of Paper

SCHOOL : CATHOLIC HIGH SCHOOL
LEVEL : PRIMARY 4
SUBJECT : SCIENCE
TERM : 2025 WEIGHTED ASSESSMENT 3

Q1	1
Q2	3
Q3	4
Q4	4
Q5	1
Q6	2
Q7	1
Q8	3
Q9a	Y. The strip bends the least OR the strip is the least flexible.
Q9b	Most amount of water Y Least amount of water X
Q10a	Temperature is a measurement of how hot or cold something is.
Q10b	Ahmad's hand lost heat to the rods.
Q10c	Rod A Evidence - The temperature of water in the beaker increased the fastest. Reasoning - The rod was the best conductor of heat. Heat lost from the rod to the water is the fastest.
Q11a	To find out how number of cloth wrapped around the container (changed variable) affects temperature of water (measured variable).
Q11b	27 °C
Q11c	Plastic is a poorer conductor of heat. Heat conducted from the hot water to the surroundings is slower .

